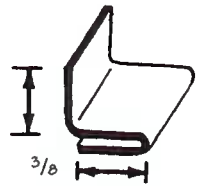
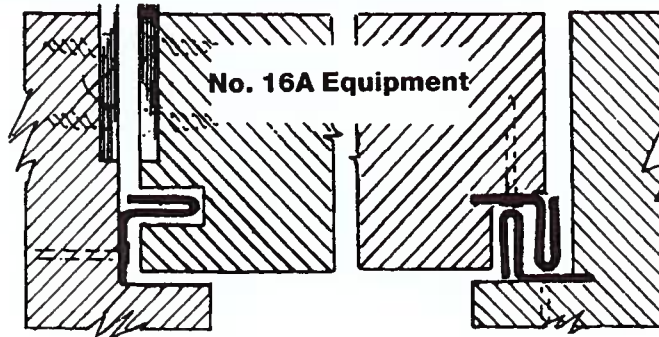


# Concealed Interlocking Weatherstrips

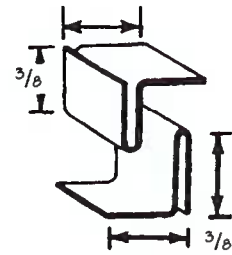
For Wood Doors



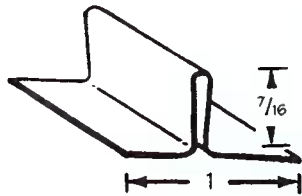
**16AB (.016)**  
**16AZ (.018)**



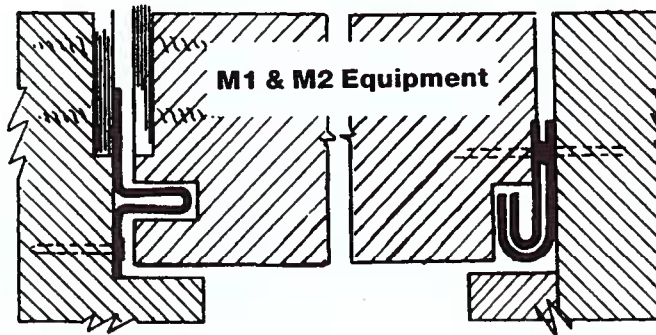
**Hinge side**                      **Head & Lock side**



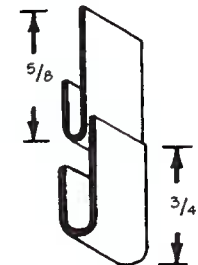
**16AB (.016)**  
**16AZ (.018)**



**2P (.018)**

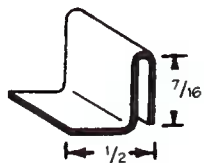


**Hinge side**                      **Head & Lock side**

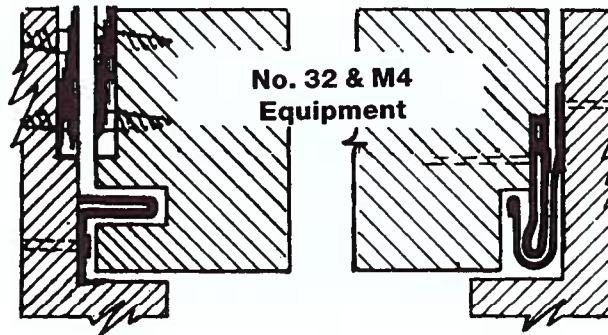


**M2Z (.018)**

**M1Z (.024)**



**16B (.016)**  
**16Z (.018)**



**Hinge side**                      **Head & Lock side**



**M4-B (.016)**  
**M4-Z (.018)**



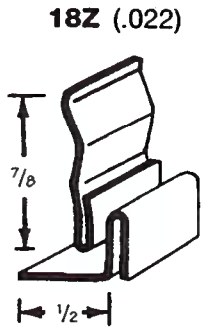
**32-B (.0142)**  
**32-Z (.018)**

## MATERIAL DESIGNATIONS

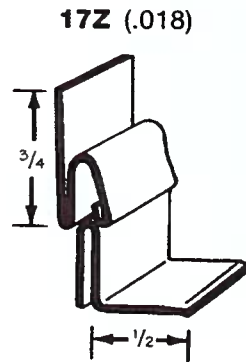
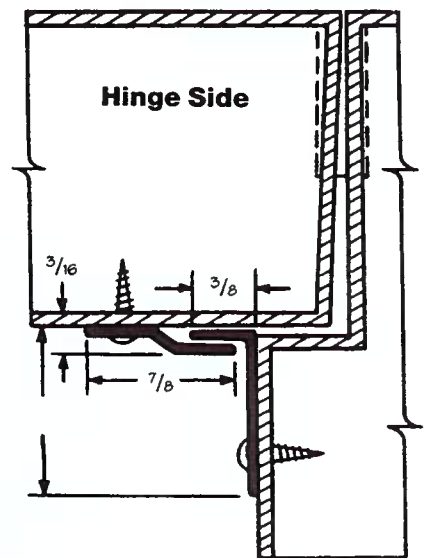
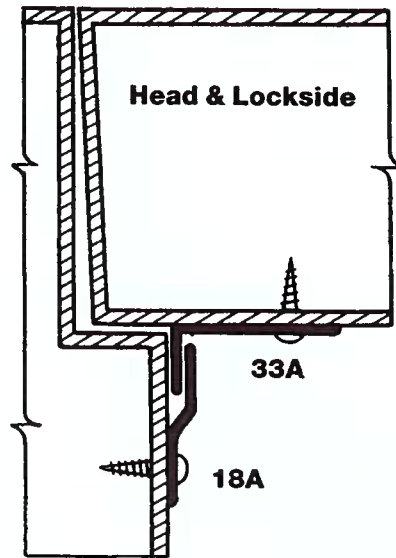
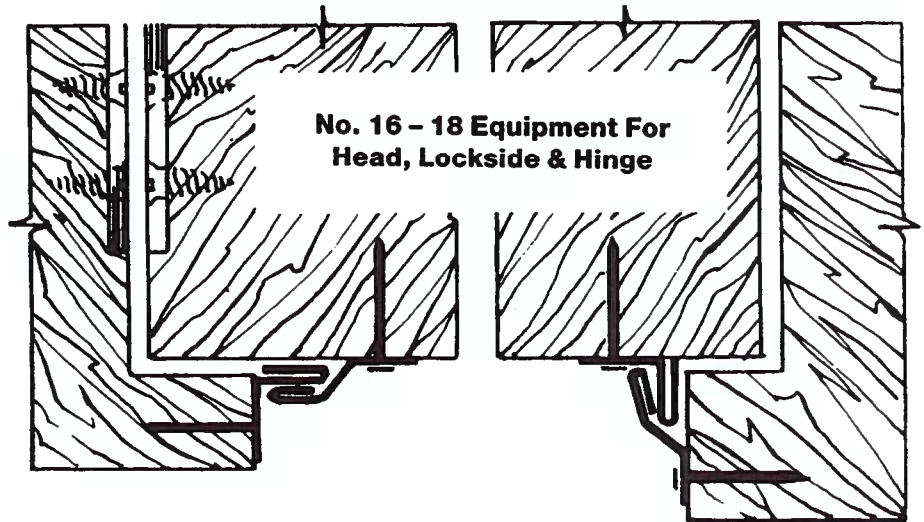
<b>A</b> Aluminum	<b>B</b> Bronze	<b>B</b> Architectural Bronze	<b>D</b> Dark Brown Anodized or Paint
<b>E</b> EPDM-Rubber Polymer	<b>F</b> Felt	<b>G</b> Gold	<b>N</b> Solid or Closed Cell Neoprene
<b>P</b> Pile	<b>SS</b> Stainless Steel	<b>V</b> Vinyl	<b>Z</b> Zinc

# Exposed Interlocking Weatherstrips

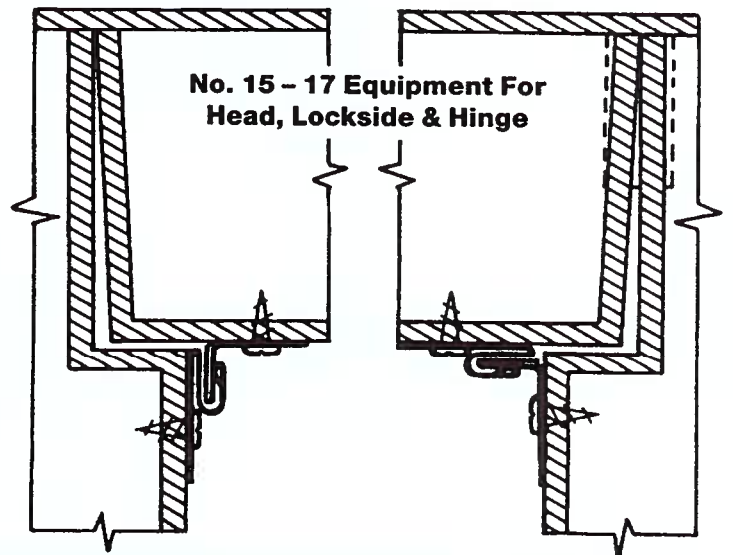
For Wood, Hollow Metal or Kalamein Doors



**16Z (.018)**



**15Z (.018)**



## MATERIAL DESIGNATIONS

<b>A</b> Aluminum	<b>B</b> Bronze	<b>B</b> Architectural Bronze	<b>D</b> Dark Brown Anodized or Paint
<b>E</b> EPDM-Rubber Polymer	<b>F</b> Felt	<b>G</b> Gold	<b>N</b> Solid or Closed Cell Neoprene
<b>P</b> Pile	<b>SS</b> Stainless Steel	<b>V</b> Vinyl	<b>Z</b> Zinc