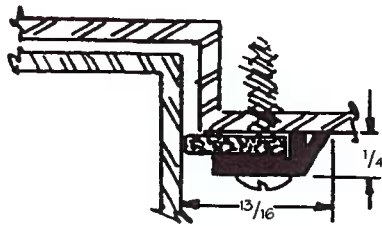
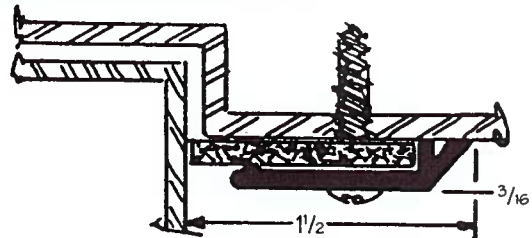


# Head & Jamb Weatherstrips



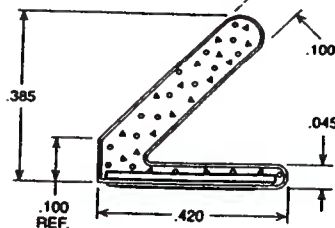
**90AN 90DN**



**39AN 39BN 39DN 39GN**

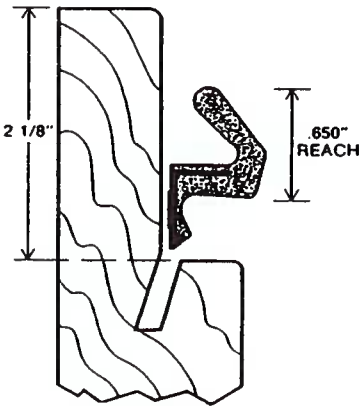
This door seal profile is for kerfed applications

This door seal profile is for kerfless applications

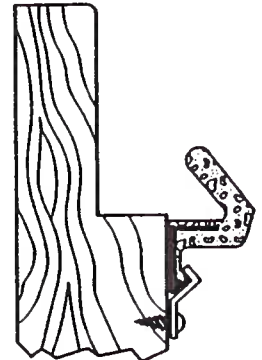


**S-375**  
Adhesive-Backed

Colors: Bronze, White

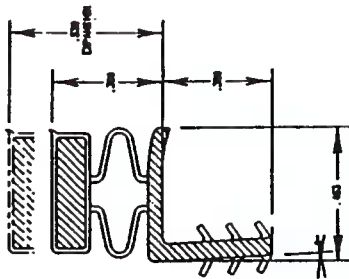


**S-650**

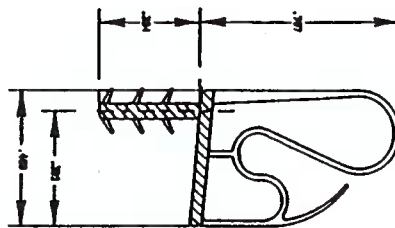


**S-650K**

**Replacement Kit**  
Height/Reach: .650" ± .035"  
Maximum Width: .580"

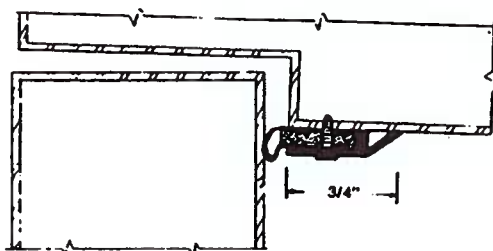


**43684**  
Magnetic Section

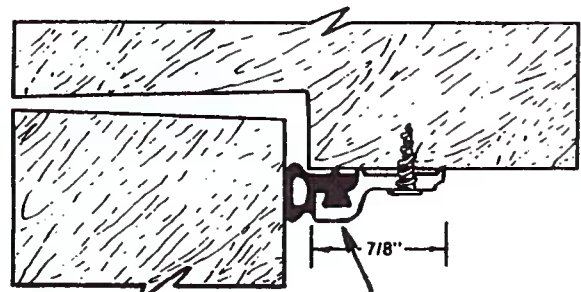


**27584**  
Compression Section

Also Available In Sets



**810AFN, 810ADFN**  
(Extra Wide Loop Available for 1" Gap)

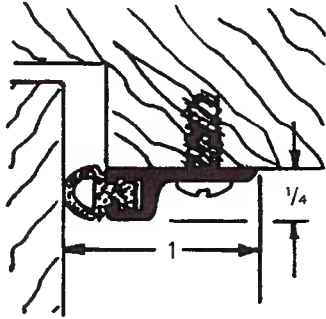


**801AV**  
(Extra Heavy Duty Extrusion)

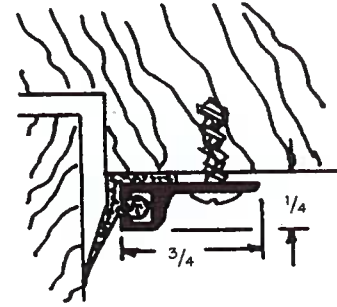
## MATERIAL DESIGNATIONS

A Aluminum	B Bronze	B Architectural Bronze	D Dark Brown Anodized or Paint
E EPDM-Rubber Polymer	F Felt	G Gold	N Solid or Closed Cell Neoprene
P Pile	SS Stainless Steel	V Vinyl	Z Zinc

# Head & Jamb Weatherstrips

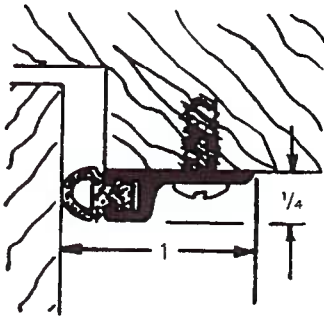


399E 399ED 399EG

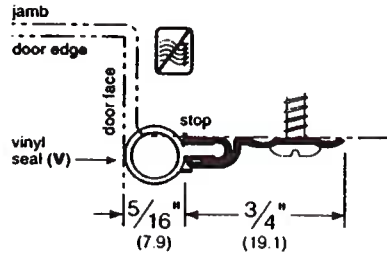


299E 299ED 299EG  
299AV 299DV 299GV

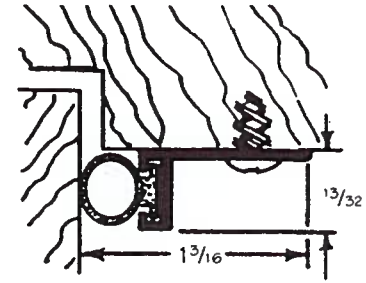
EPDM Flexible at Low Temperatures



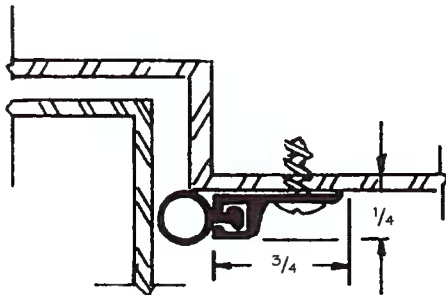
399AV 399DV 399GV



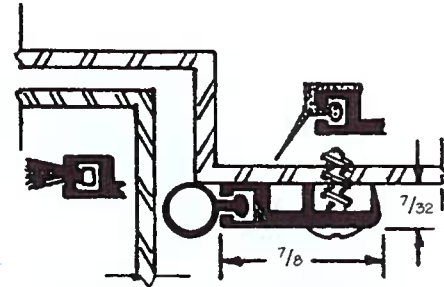
299PAV



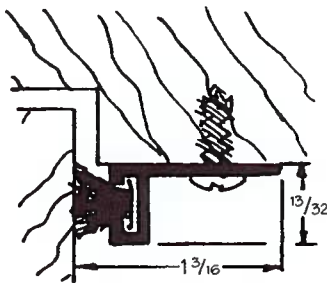
599AV 599DV 599GV



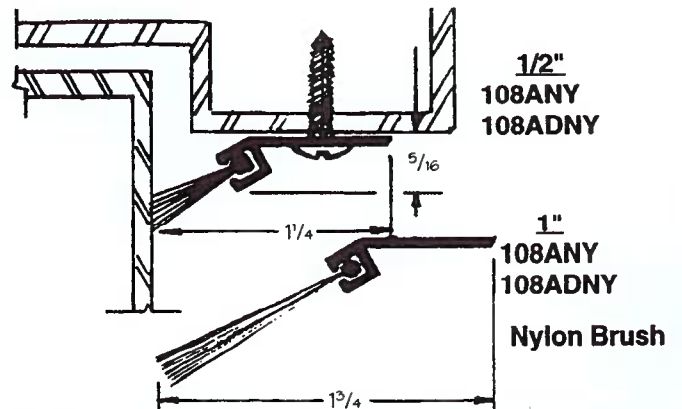
399N 399ND 399NG



240AE 240AN 240AP  
240DE 240DN 240DP



599AP 599DP 599GP



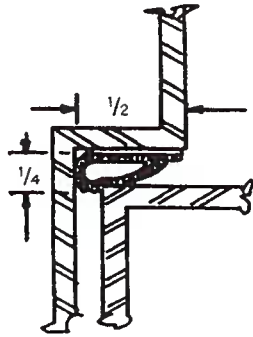
1/2"  
108ANY  
108ADNY

1"  
108ANY  
108ADNY  
Nylon Brush

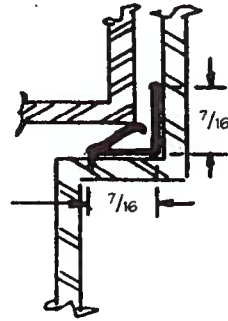
## MATERIAL DESIGNATIONS

A Aluminum	B Bronze	B Architectural Bronze	D Dark Brown Anodized or Paint
E EPDM-Rubber Polymer	F Felt	G Gold	N Solid or Closed Cell Neoprene
P Pile	SS Stainless Steel	V Vinyl	Z Zinc

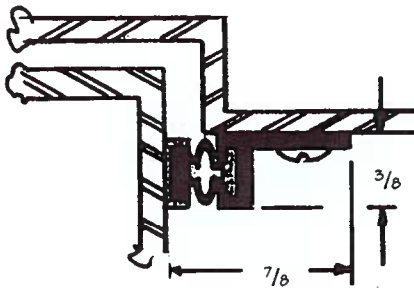
# Head & Jamb Weatherstrips



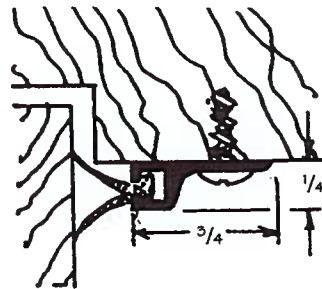
**116**  
**Silicone with Adhesive Backing**



**114**  
**Polyflex with Adhesive Backing**

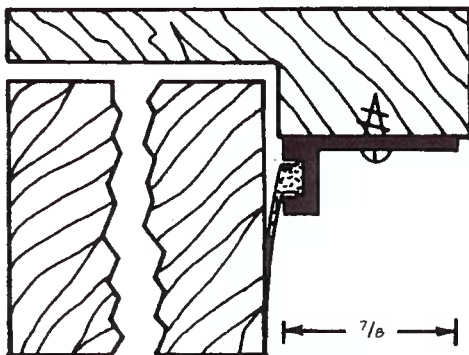


**525MA**  
**Magnetic Vinyl**



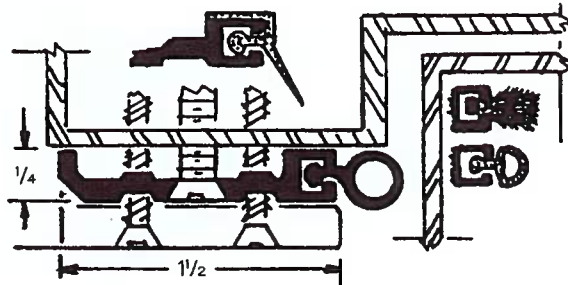
**190AV, 190DV, 190GV**

**Overhead Garage Door  
Weatherstrip**



**299AE, 299ADE**

**Special Application  
Used with Closer Bracket**

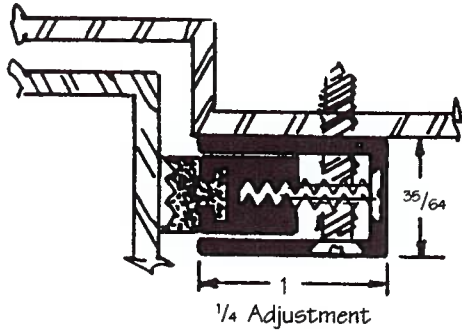


**382AE 382AN 382AP 382AV**  
**382DE 382DN 382DP 382DV**

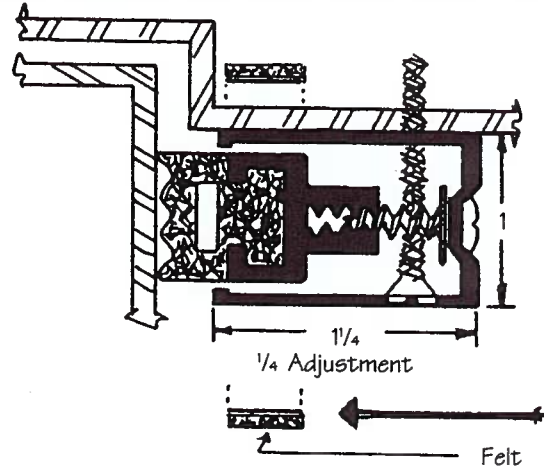
**MATERIAL DESIGNATIONS**

A Aluminum	B Bronze	B Architectural Bronze	D Dark Brown Anodized or Paint
E EPDM-Rubber Polymer	F Felt	G Gold	N Solid or Closed Cell Neoprene
P Pile	SS Stainless Steel	V Vinyl	Z Zinc

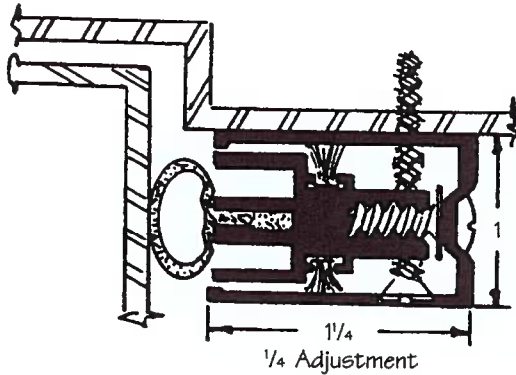
# Head & Jamb Weatherstrips



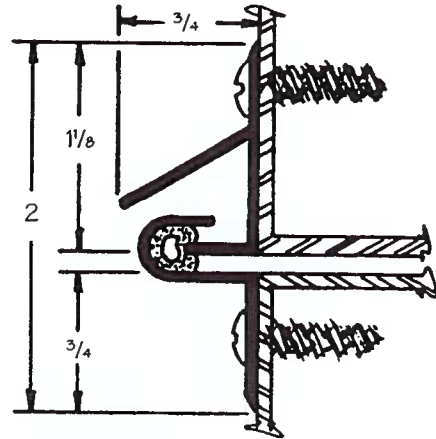
**650AN 650DN**



**450AN 450DN**  
Optional Felt Sound Proofing Pad

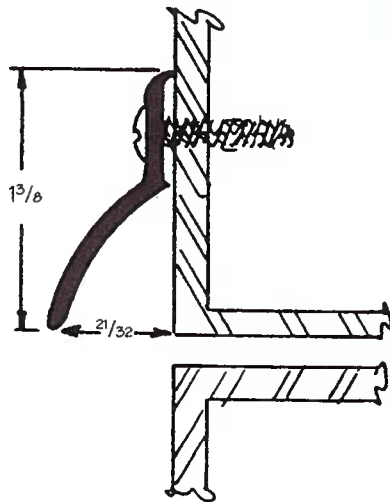


**350AN 350DN**

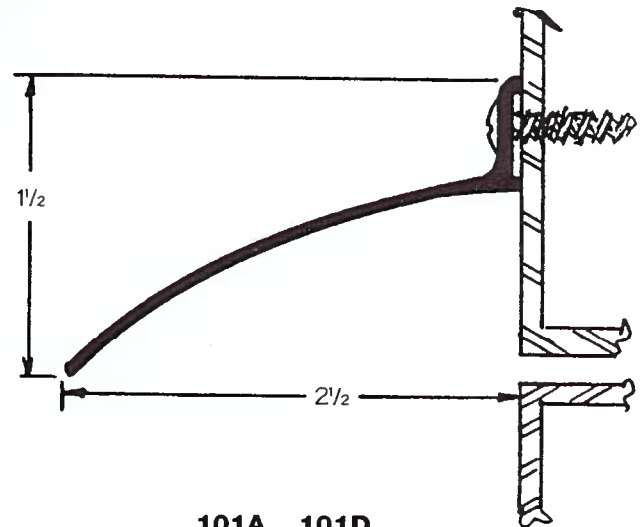


**100A Combo**

**Drip  
Caps**



**102A 102B 102D 102G**



**101A 101D**

## MATERIAL DESIGNATIONS

A Aluminum	B Bronze	B Architectural Bronze	D Dark Brown Anodized or Paint
E EPDM-Rubber Polymer	F Felt	G Gold	N Solid or Closed Cell Neoprene
P Pile	SS Stainless Steel	V Vinyl	Z Zinc